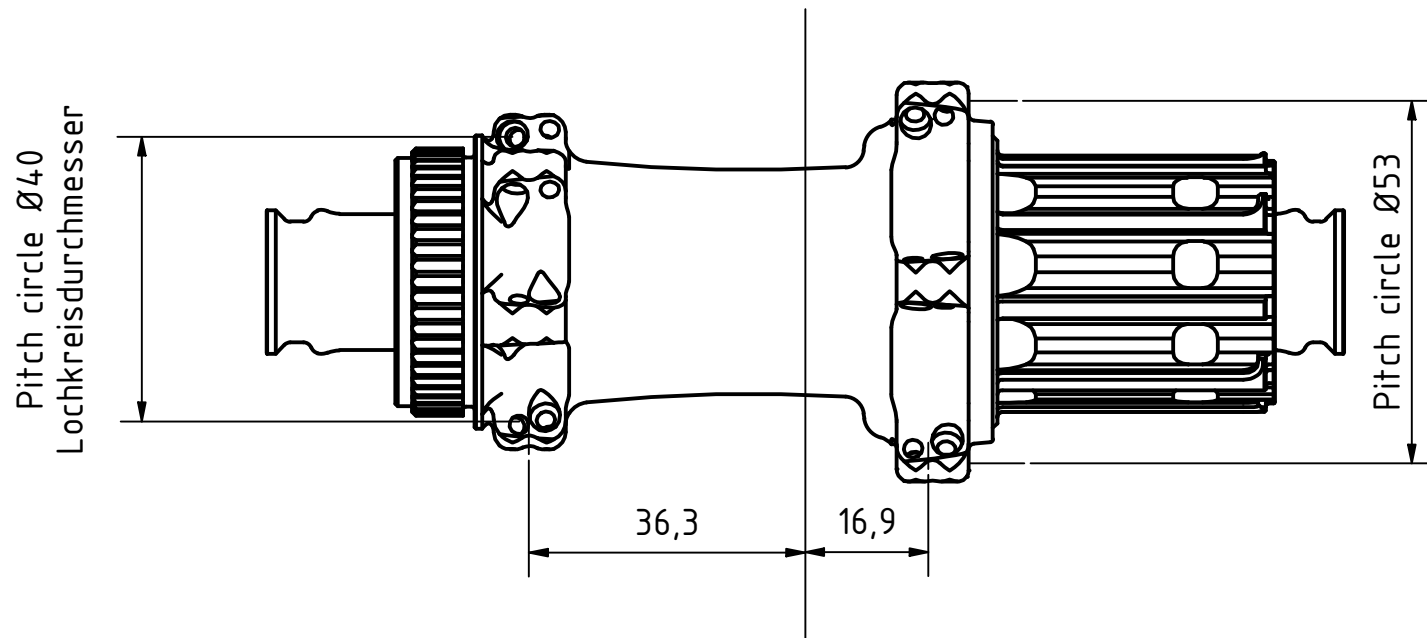


technical data  
Straightpull Road  
rear hub 142x12



maximum spoke  
tension: 1200N

Offset spoke holes = 1mm

**Systemweight limit:**  
24h - Road - 120kg  
24h - Gravel - 110kg  
28h - Road - 130kg  
28h - Gravel - 120kg