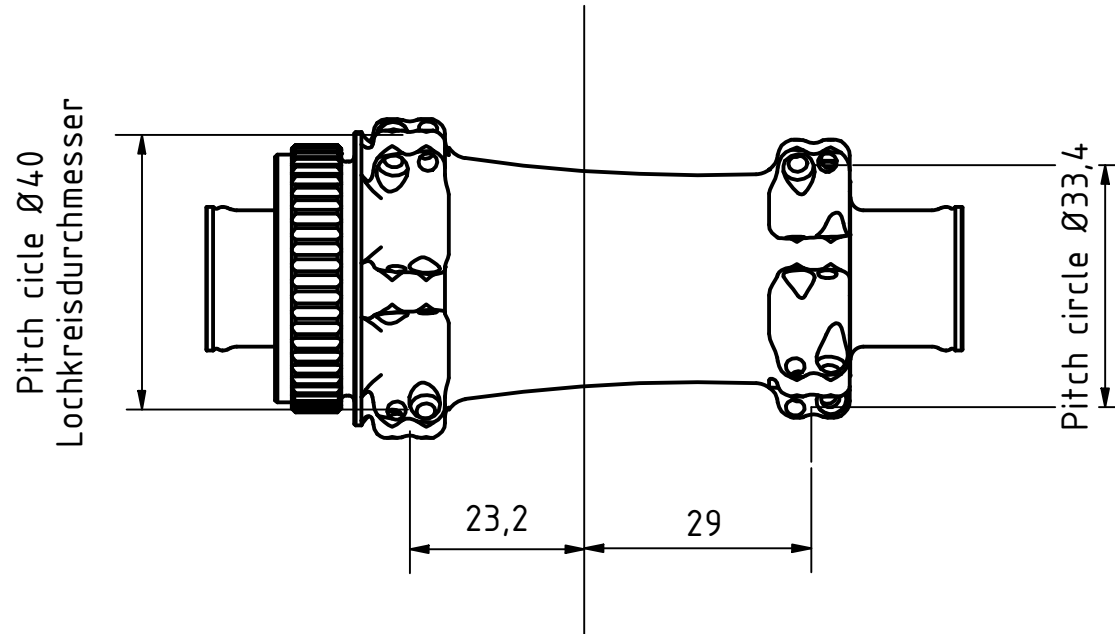


technical data
Straightpull Road
front hub 100x12



maximum spoke
tension: 1200N

Offset spoke holes = 1mm

Systemweight limit:
24h - Road - 120kg
24h - Gravel - 110kg
28h - Road - 130kg
28h - Gravel - 120kg